

POWERFLEX®

PART NUMBER

PFF26-111

DESCRIPTION

Rear Lower Rear Arm Bush

INSTALLATION GUIDE

Contents (parts per pack):

8 x Polyurethane Bushes 4 x Outer Shells
4 x Stainless Steel Sleeves 1 x PTFE/Silicone Grease
8 x Washers 1 x Fitting Tool

Please read the complete fitting instructions and check package components before fitment. These fitting instructions are to be used as a guide and in conjunction with workshop manual.

It is recommended that:

- all work to be carried out by a licensed technician;
- all safety precautions adhered to;
- wheel alignment to be checked and adjusted as required after any suspension work.
- All fasteners must be tensioned to manufacturer's torque settings.

Fitting Instructions:

1. Remove the original rubber bush including the outer shell from the arm.
2. Clean any dirt and corrosion in the arm's bore and remove any burrs or sharp edges with a rounded file.

Note: When removing the OE bush from the arm, place the supplied fitting tool between the arm to ensure the arm does not collapse when pressing on the outer shell as shown in Fig 1.

3. With the fitting tool still in place, press the outer shell into the arm as shown in Fig 2. Start with the lead-in and ensure it is square to the arm when pressing. The shell should sit centrally in the arm. Remove the fitting tool once done.

4. Insert the polyurethane bushes into either side of the outer shell until flush.

5. Apply some of the supplied grease to the bore of the bush and push in the stainless steel sleeve until sitting flush on both sides.

6. Place one of the supplied washers on either side of the bush when re-fitting the arm back to the vehicle.

NB. When refitting the arm to the car, you may need to raise the rear hub to align the control arm and bolt hole on the subframe.

7. Tension all hardware to the manufacturer's recommended torque settings.

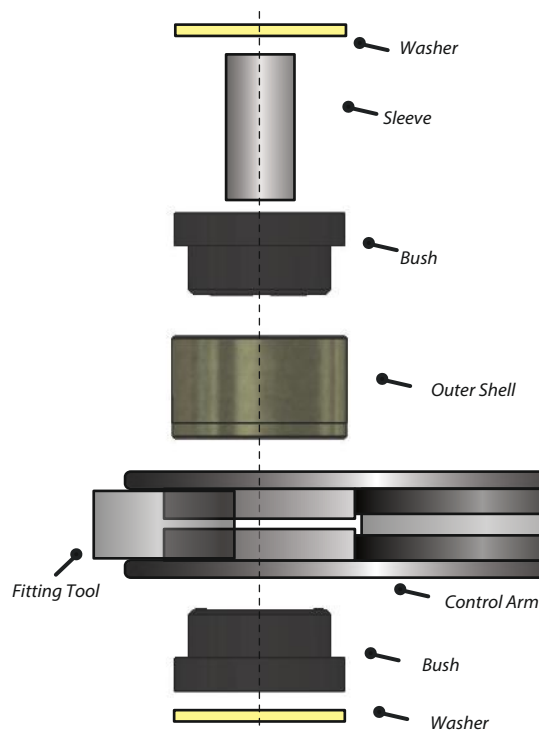


Figure 1



Figure 2